



EN54-24

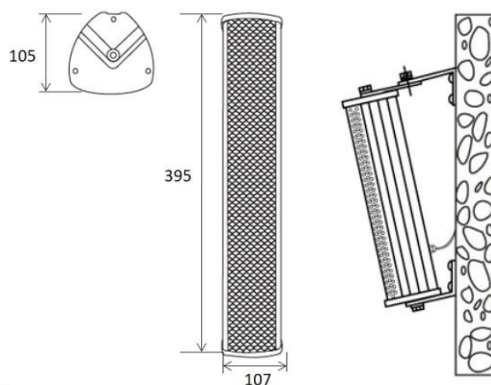
Feature:

- ✓ Commercial public address (PA) system music & paging horn speaker with transformer
- ✓ Ideal for outdoor music and speech use in factory, school, office, hotel and airport
- ✓ Compliant with the EN54-24 standards
- ✓ Fireproof speaker tail, 95°C fire-resistant cable and thermal fuse
- ✓ 2×3”+2.5” two way fire resistant speaker system
- ✓ Rated power output 40W-20W-10W & 8 Ohm
- ✓ Waterproof level of IP66
- ✓ Line input 100V by fire-resistant cable tail with waterproof gland
- ✓ Aluminum alloy enclosure in white
- ✓ Quick installation by supplied stainless mounting bracket

Specification:

Model	DS-EN-40
Description	Outdoor Column Speaker
Max Power Output	60W
Rated Power Output	40W-20W-10W & 8 ohm
Speaker	2×3”+2.5” two way fire resistant speaker system
Line Input	100V
Frequency Response	150-13KHz
SPL(@ 1W/m)	115/99dB(SPL)
IP Rate	IP66
Connector	By fire-resistant cable tail with waterproof gland
Dimension	395×107×105mm
Material	Aluminum alloy enclosure and stainless metal bracket in white
Mounting Way	Quick installation by supplied stainless mounting bracket
Net Weight	3kg

Dimension & Mounting:



Frequency & Impedance Diagrams:

