

Outdoor Horn Speaker

HSK-EN-30

Feature:

- ✓ EN54 voice alarm horn speaker with transformer
- ✓ Ideal for outdoor paging and speech use in school, office, hotel and airport
- ✓ Compliant with the EN54-24 EVAC standard
- ✓ Ceramic connector, 95°C fire-resistant cable and thermal fuse
- ✓ Rated power output 60W/30W
- ✓ Waterproof level of IP66
- ✓ Line input 100V or 70V by cable tail
- ✓ ABS enclosure and stainless metal bracket in white
- ✓ Quick installation by supplied stainless mounting bracket

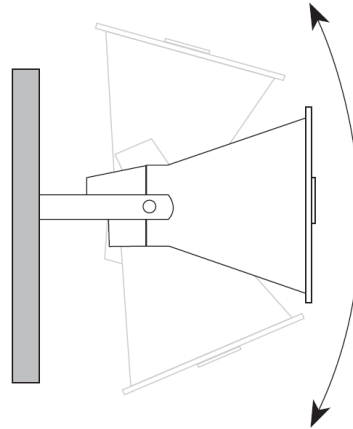
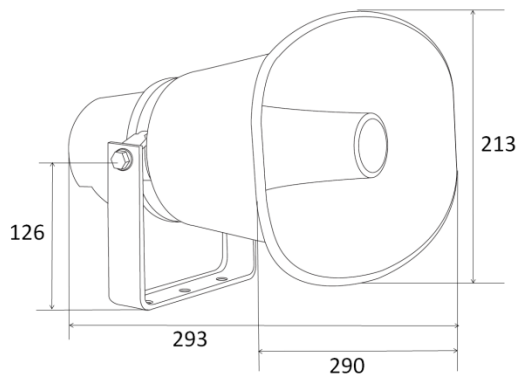


EN54-24

Specification:

| | |
|--------------------|---|
| Model | HSK-EN-30 |
| Description | Outdoor Horn Speaker |
| Rated Power Output | 60W/30W |
| Line Input | 100V or 70V |
| Frequency Response | 300-5KHz |
| SPL(@1W/m) | 122dB/108dB(SPL) |
| IP Rate | IP66 |
| Connector | By speaker cable tail |
| Dimension | 290×213×293mm |
| Material | ABS enclosure and stainless metal bracket in white |
| Mounting Way | Quick installation by supplied stainless mounting bracket |
| Weight | 2.2kg |

Dimension and Mounting:



Frequency Response & SPL Diagram:

